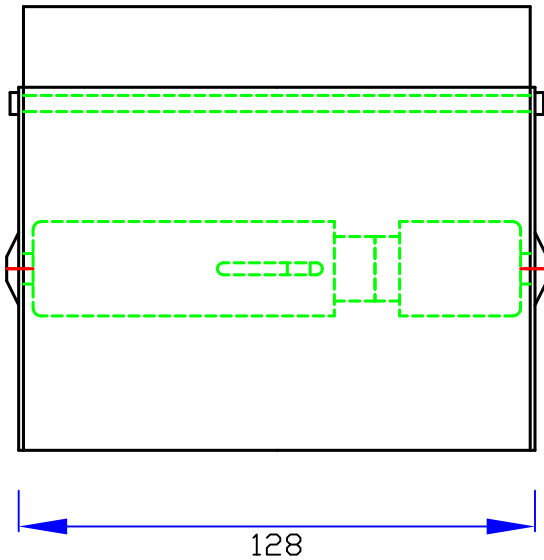
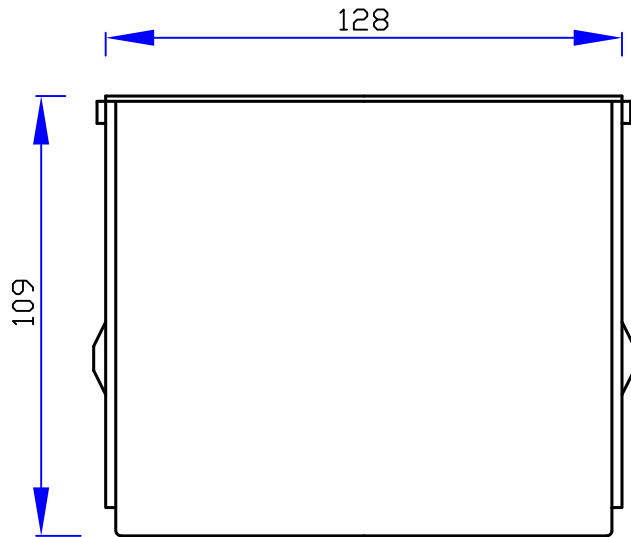


VANOTECH CO., LTD.

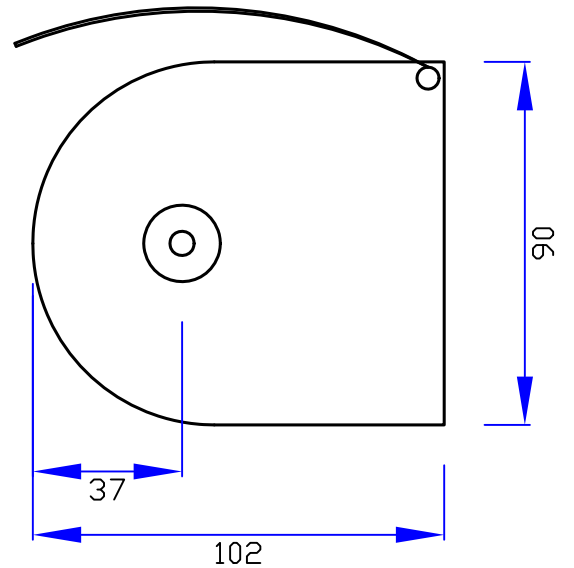
Item : 휴지걸이(특대) [Paper holder

Item No. : PHS-S011-CR

(TOP VIEW)



(FRONT VIEW)



[SIDE VIEW]