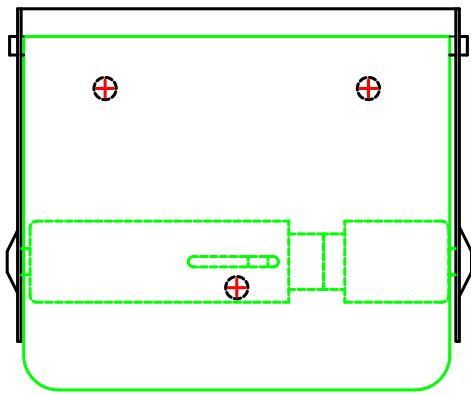
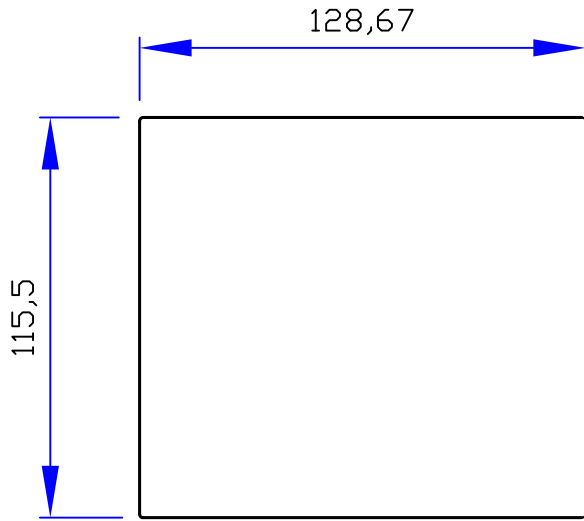


VANOTECH CO., LTD.

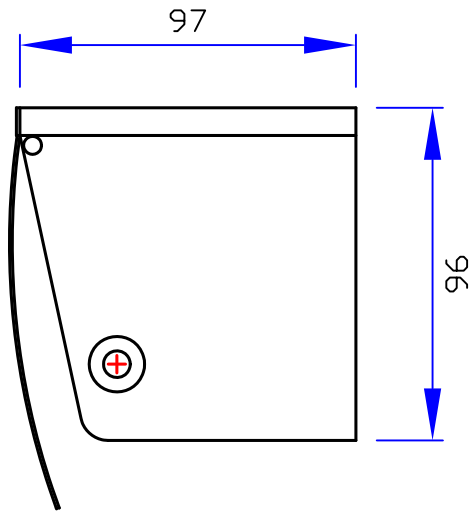
Item : 휴지걸이 [Paper holder]

Item No. : PHS-S006S-CR

(Top View)



(Front View)



(Side View)

Issue date : 2026.03.30