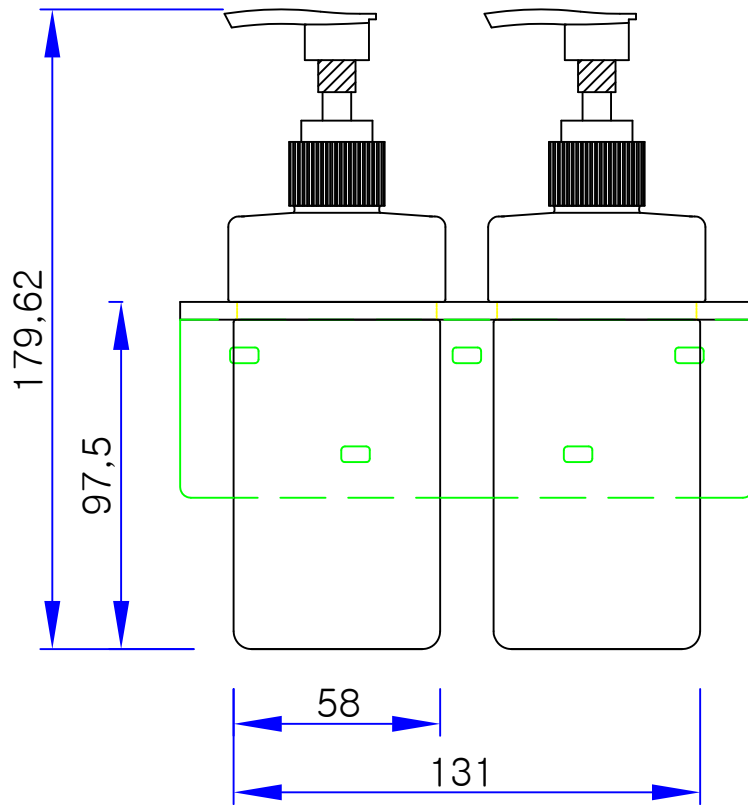
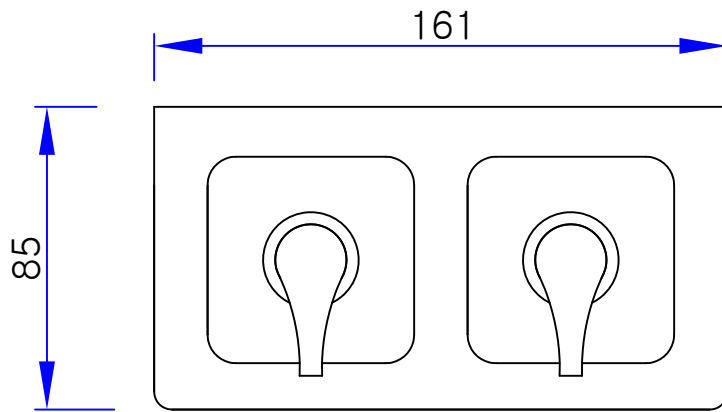


VANOTECH CO., LTD.

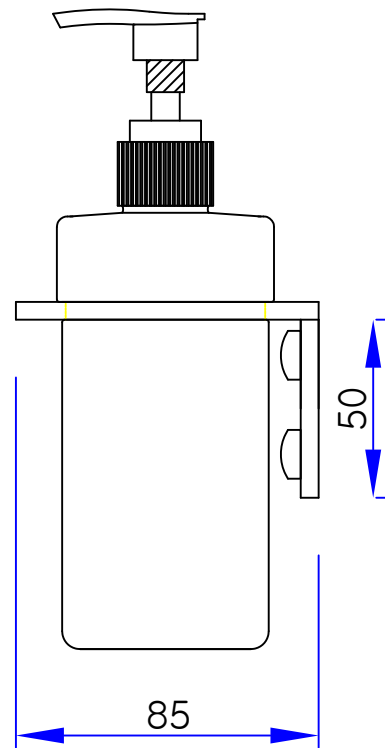
Item : 폼비누분배기 [Dispenser]

Item No. : LD-010B-CR

(Top View)



(Front View)



(Side View)