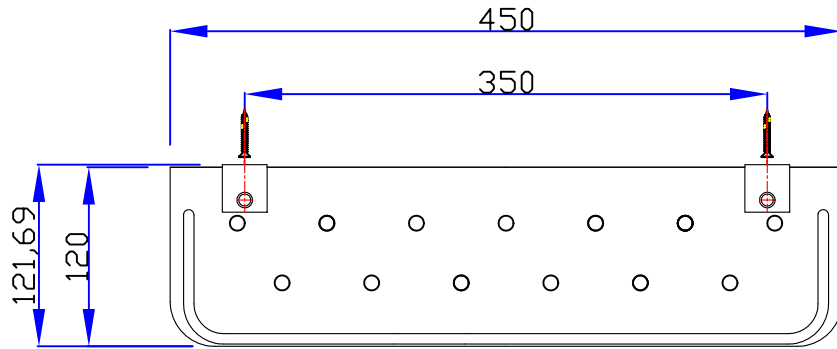


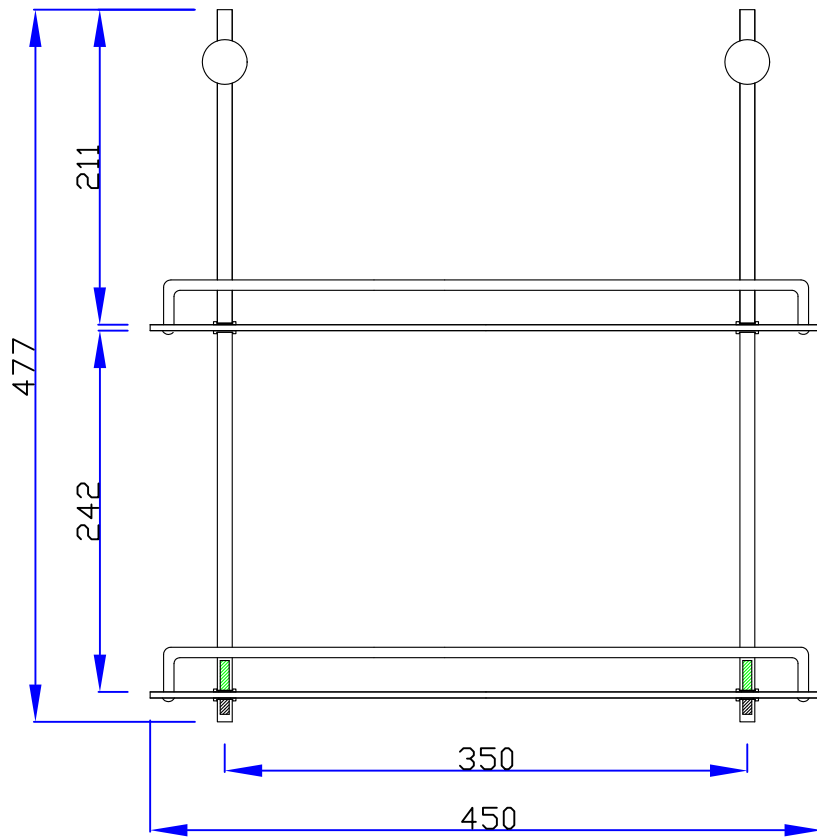
VANOTECH CO., LTD.

Item : 일자선반(2단)_알루미늄 [Shelf_2F]

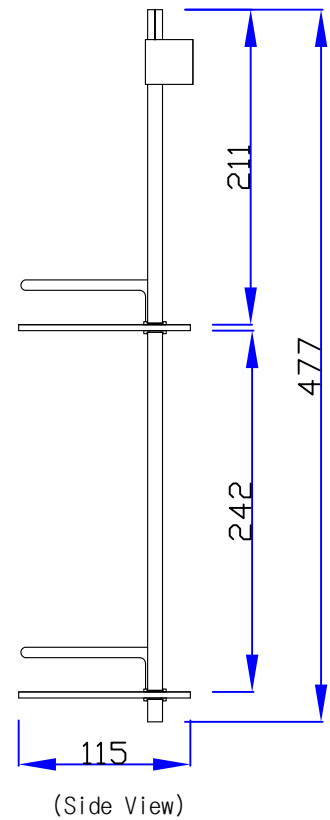
Item No. : USL-200AL-450-2F-CR



(Top View)



(Front View)



(Side View)