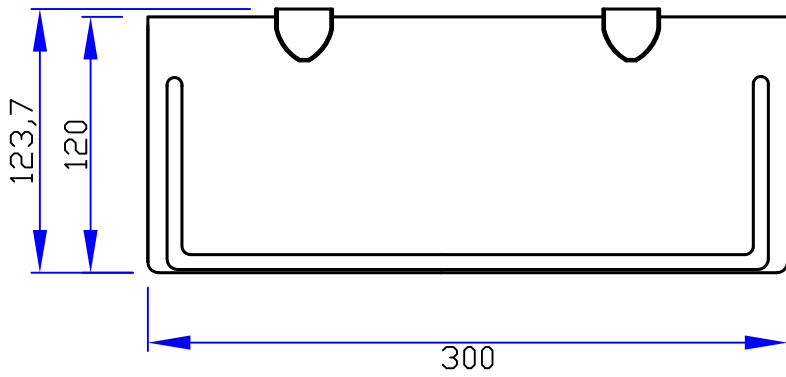


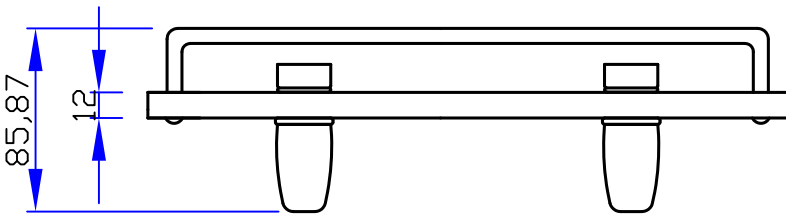
VANOTECH CO., LTD.

Item : 일자선반(인조대리석) [Shelf\_artificial marble]

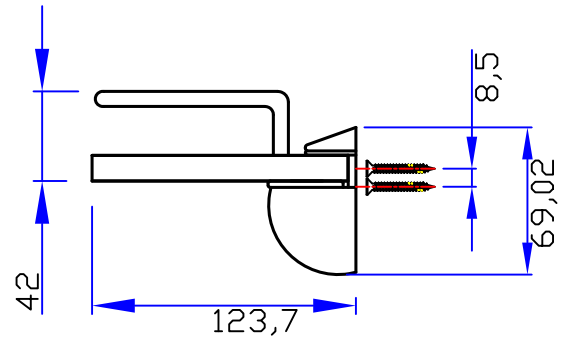
Item No. : USL-200MAR-300WH-CR



(Top View)



(Front View)



(Side View)

Issue date : 2026.04.15