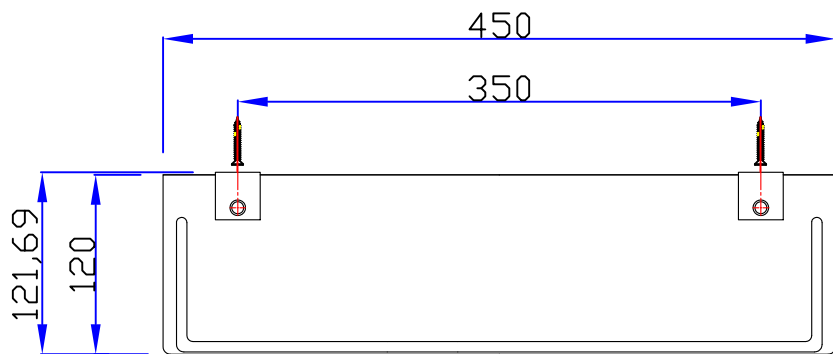


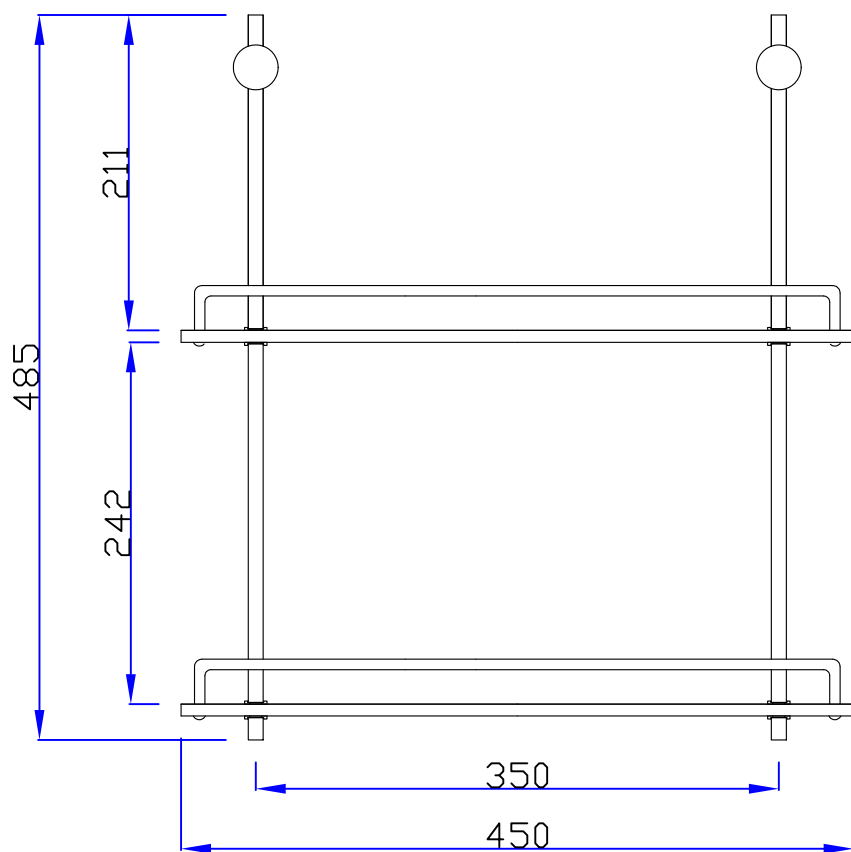
VANOTECH CO., LTD.

Item : 일자선반(2단,투명) [Shelf_2F]

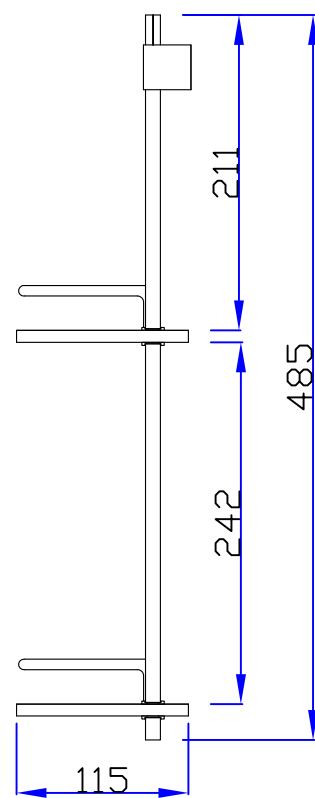
Item No. : USL-201T-450-2F-CR



(Top View)



(Front View)



(Side View)