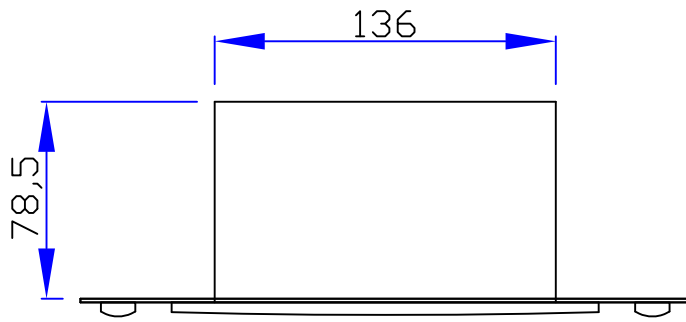


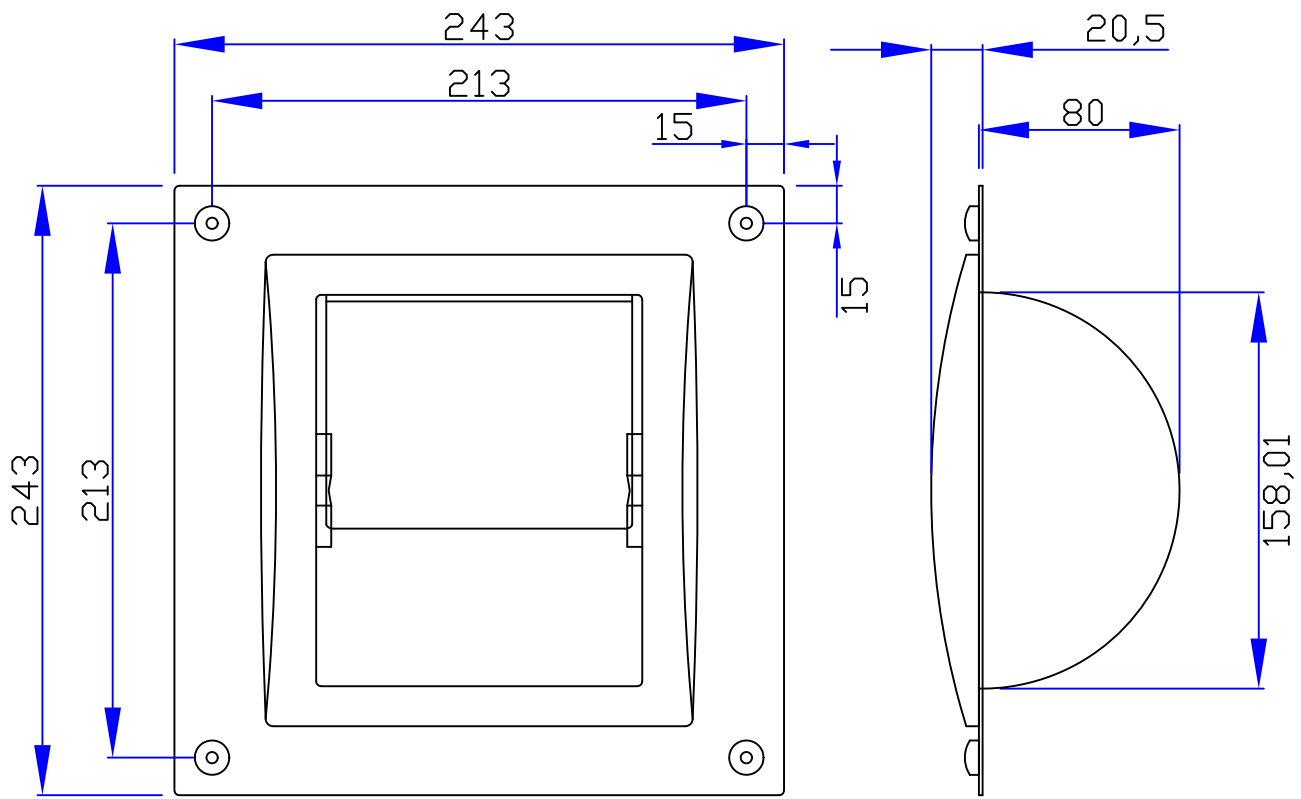
VANOTECH CO., LTD.

Item : 휴지걸이(매립) [Paper Holder_recessed type]

Item No. : PR-403AB-CR



(Top View)



(Front View)

(Side View)

Issue date : 2026.04.27