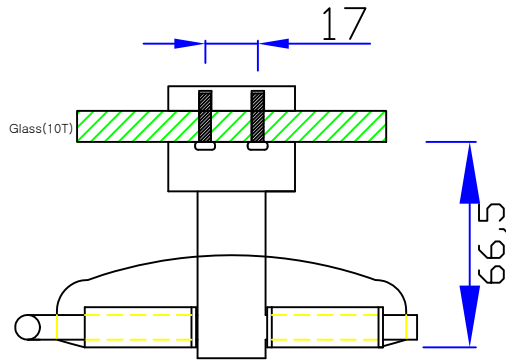


VANOTECH CO., LTD.

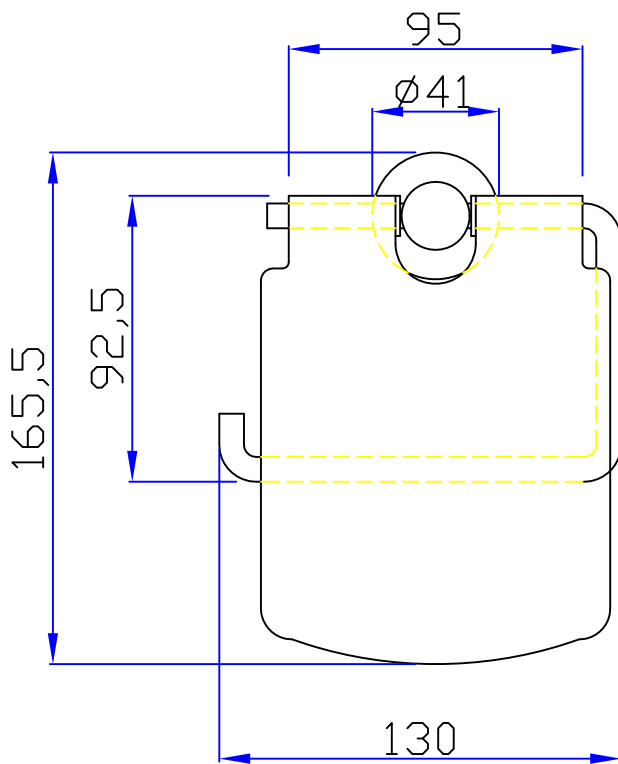
Item : 휴지걸이(샤워부스부착용)

Item No. : PHS-5202CR-BU

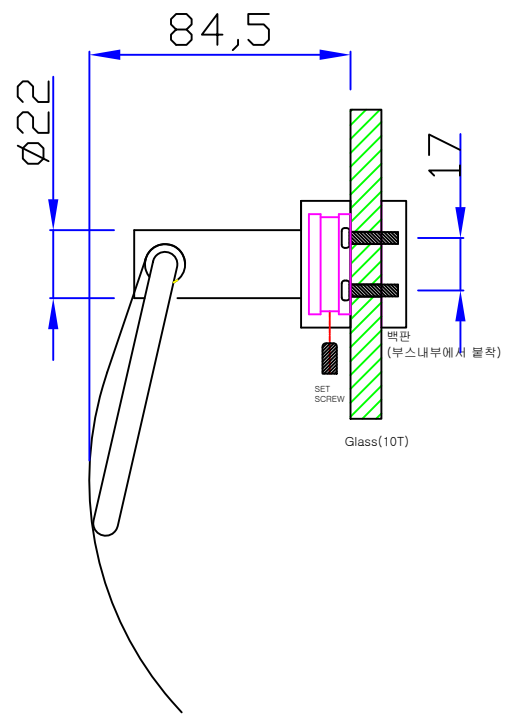


(Top View)

타공치수:
센터 17mm*(5Ø~8Ø)



(Front View)



(Side View)

Issue date : 2026.04.24