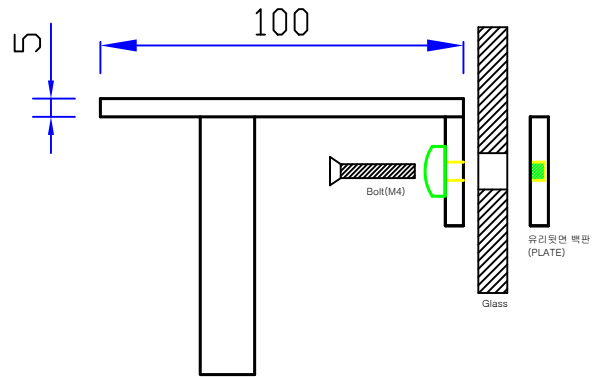
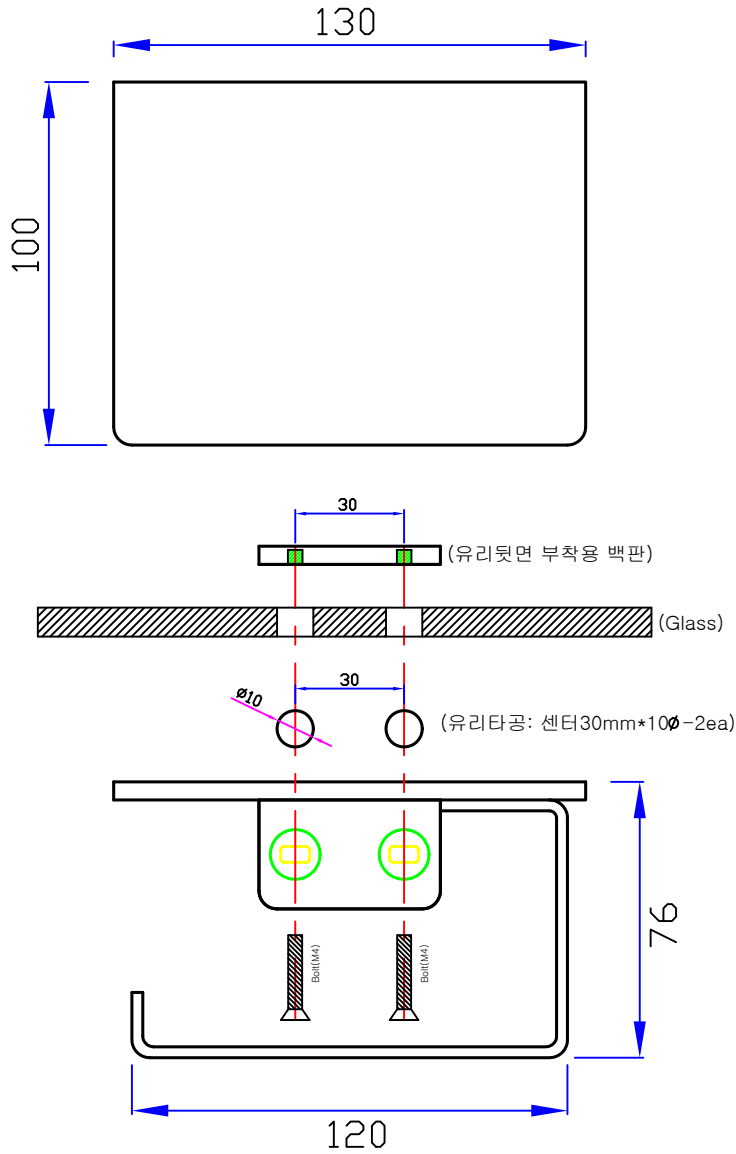


VANOTECH CO., LTD.

Item : 휴지걸이(샤워부스 부착용) [Paper Holder]

Item No. : PHS-8402R-CR-BU

(Top View)



(Side View)

Issue date : 2026.04.24