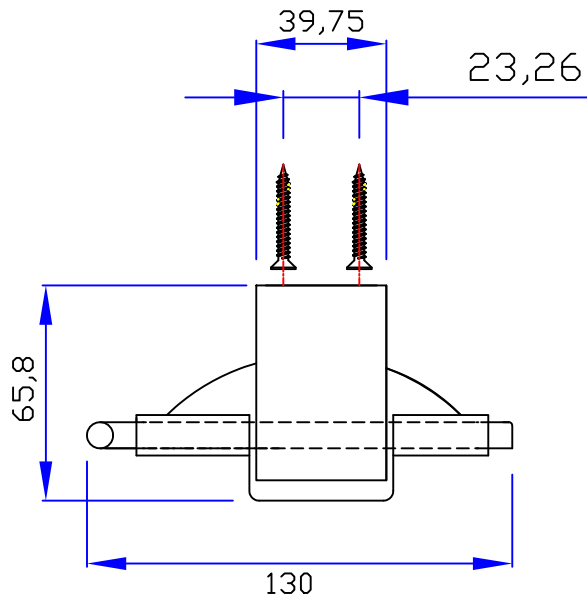


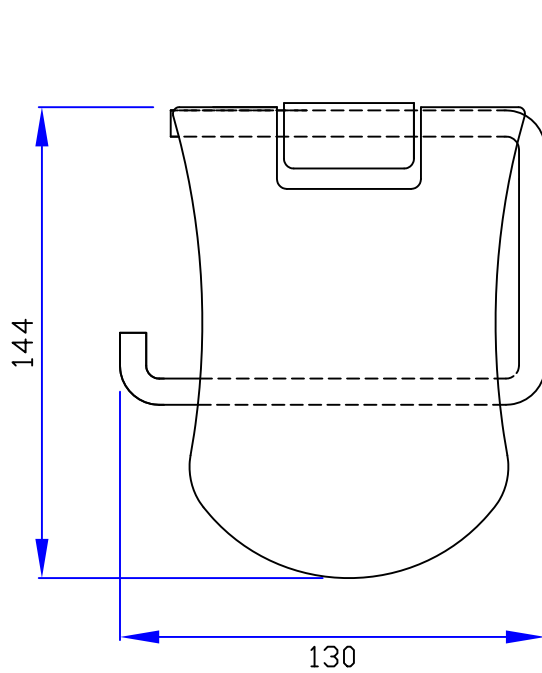
VANOTECH CO., LTD.

Item : 휴지걸이 [Paper Holder]

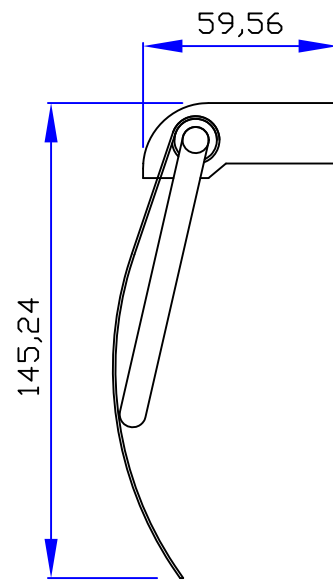
Item No. : PHS-6702CR



(Top View)



(Front View)



(Side View)

Issue date : 2026.05.06