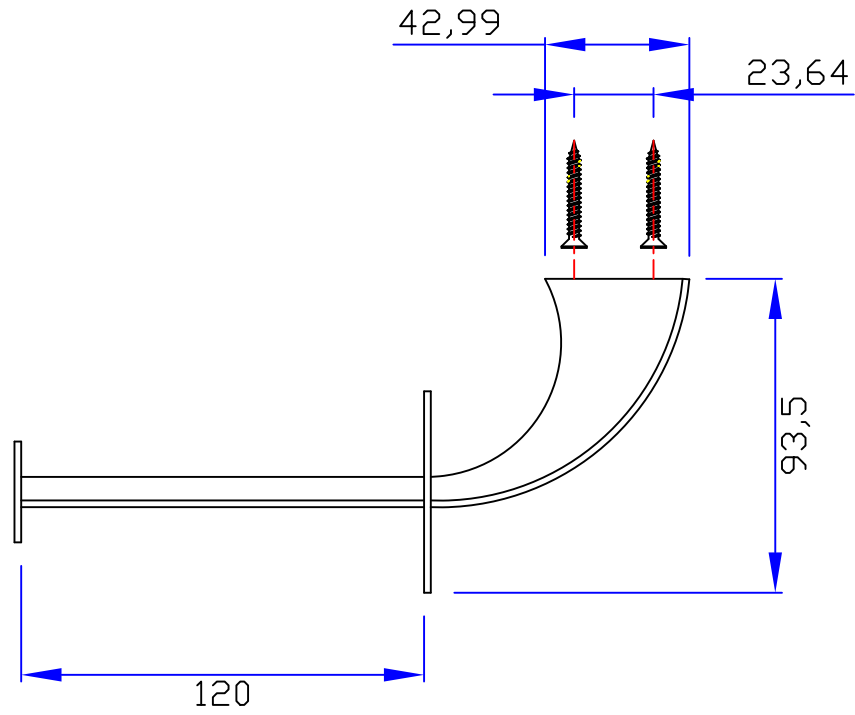


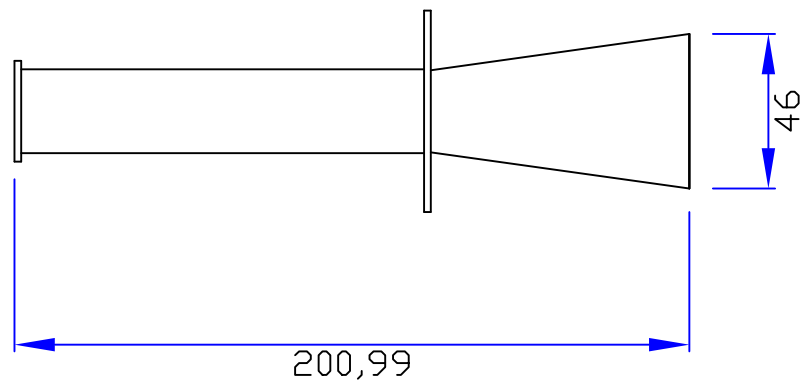
VANOTECH CO., LTD.

Item : 휴지걸이 [Paper Holder]

Item No. : PHS-7002CR



(Top View)



(Front View)

Issue date : 2026.05.07