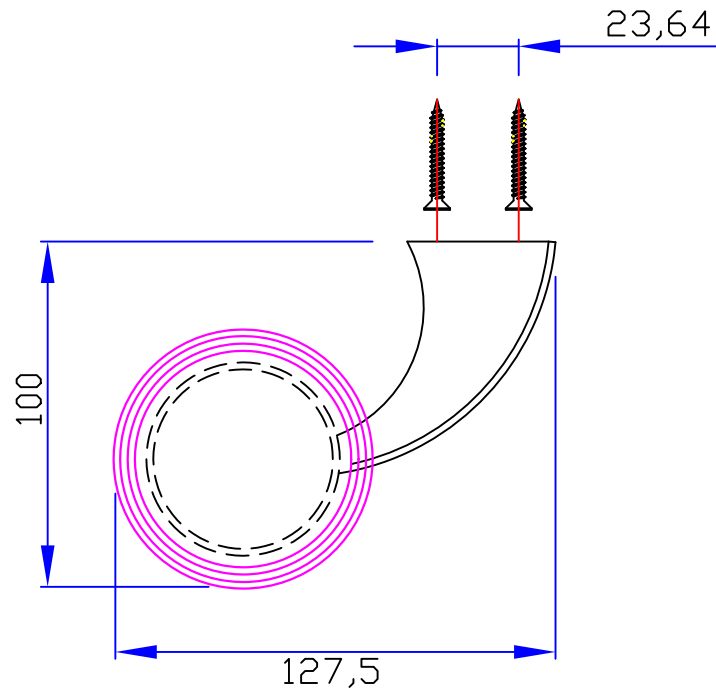


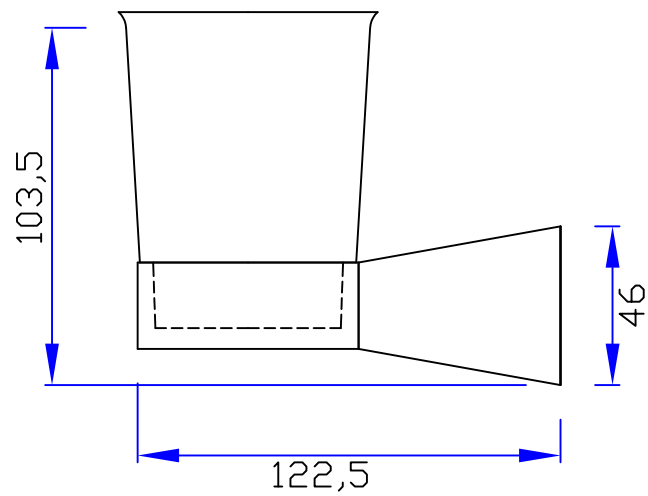
VANOTECH CO., LTD.

Item : 컵대 [Tumbler Holder]

Item No. : TH-7003CR



(Top View)



(Front View)

Issue date : 2026.05.07